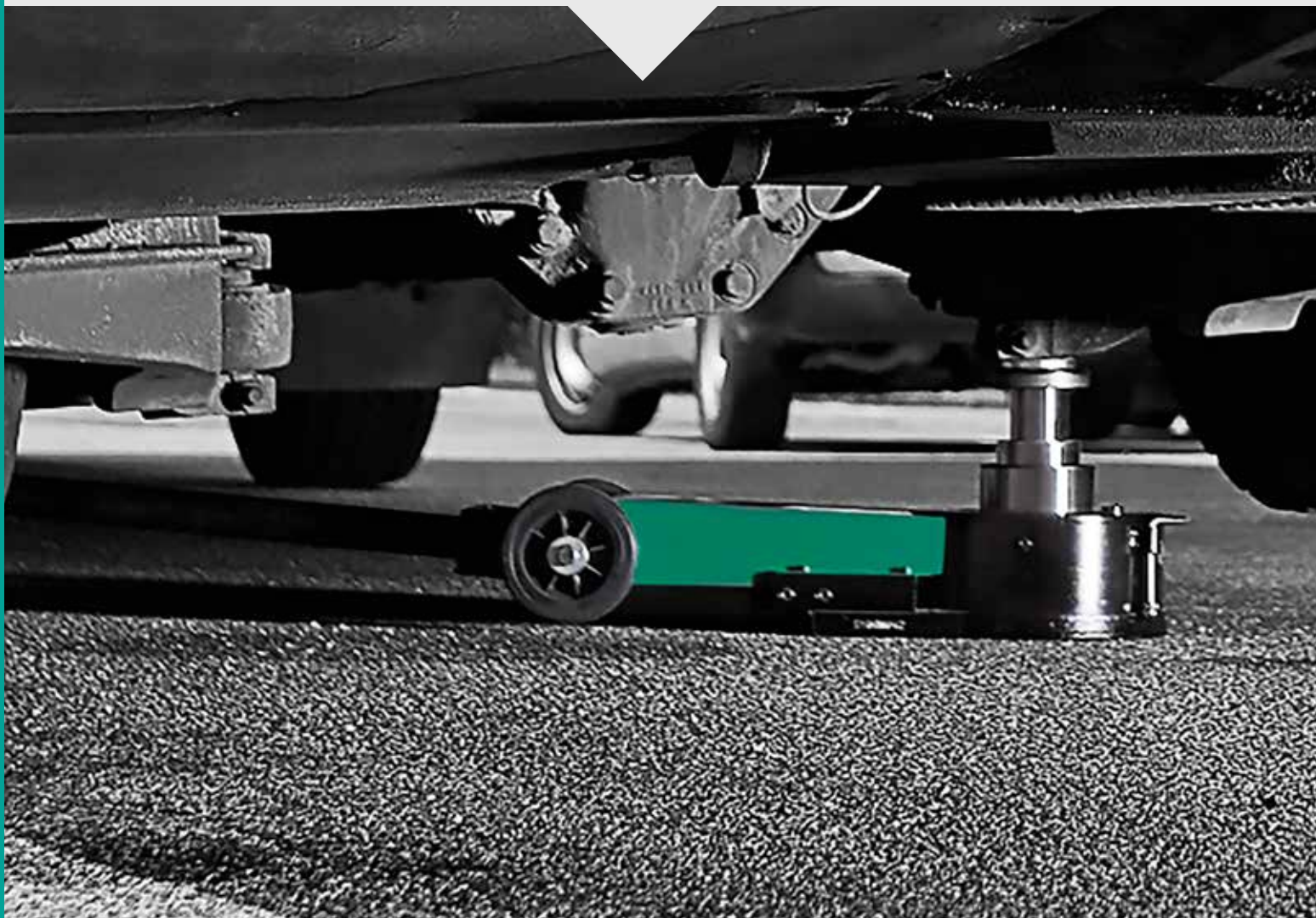


COMPAC[®]

MANUFACTURER SINCE 1946



CATALOGUE NO 12



TABLE OF CONTENTS



How Compac creates value

4-7



Low height jack 2 ton

8



Extremely low chassis jack 2 ton

9



Jack for vans, SUVs and minibuses 3 ton

10



High capacity jacks 4 - 15 ton

11



High lift jacks 1,4 - 2 ton

12



High lift jacks 3 -10 ton

13



Air hydraulic telescopic jacks

14-15



Air hydraulic trolley jacks 1,6 - 10 ton

16-18



Hydraulic body repair kits

19



Wheel lifter for cars, vans and SUVs

20



Wheel dolly and wheel lifter for trucks and buses

21



Wheel lifter for agricultural and earth moving machinery

22-23



Workshop cranes

24-25



Universal transmission jacks

Accessories for transmission jacks

26-27



Telescopic transmission jack for cars, vans and SUVs

28



Telescopic transmission jack for trucks and buses

29



Spring compressor

30-31



Foot operated workshop presses 16 - 30 ton

32



Hand operated workshop presses 20 - 30 ton

33



Foot operated workshop presses 40 - 50 ton

34



Hand operated workshop presses 40 - 100 ton

35



Electro-hydraulic workshop presses 40 - 100 ton

36-37

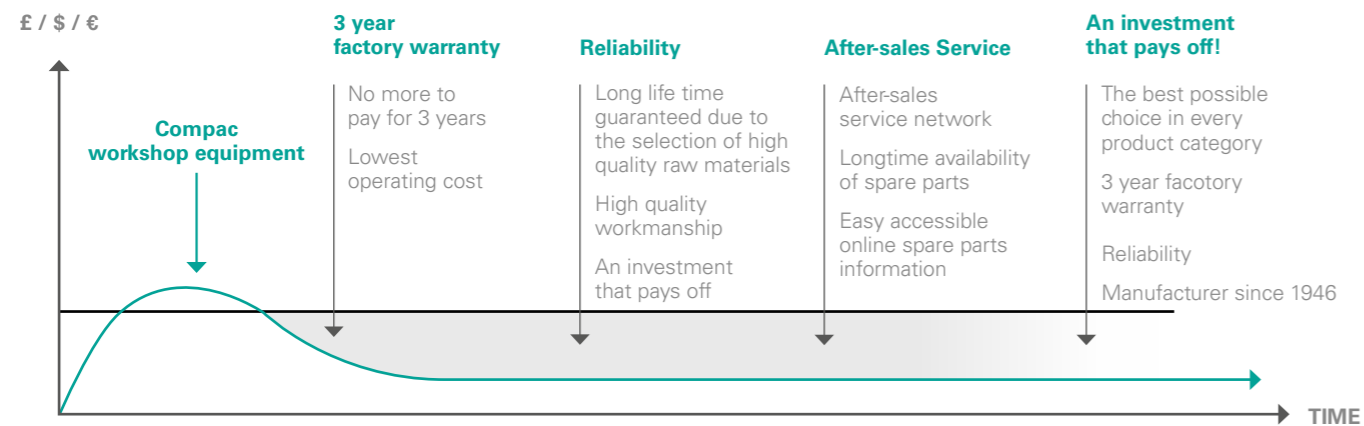


Axle stands 2 - 12 ton

Bottle jacks 3 - 50 ton

38

HOW COMPAC CREATES VALUE Lifting is serious business – We know!



HISTORY

Four dedicated Danes established Compac in 1946. Their vision was to build superior hydraulic jacks. Our vision is still the same after more than 70 years in business and we are proud to continue in our efforts to strengthen our reputation for superior quality, which we have built up over the years.



KNOW-HOW IS THE DIFFERENCE



FACTORY WARRANTY

Compac has set a benchmark in the industry by being the first manufacturer to offer a full 3 year warranty.



MANUFACTURER SINCE 1946

Compac has been manufacturing high quality hydraulic products since 1946. The aim of the experienced engineering staff at Compac is to ensure excellent quality with the key objective of creating satisfied customers.



EXCELLENT RAW MATERIALS

Compac's hydraulic components are manufactured in-house using high quality materials. Important raw materials like the special hydraulic tubes, seals, valve blocks, etc. are sourced from high quality raw material suppliers only. There are no compromises concerning the quality of the critical raw materials used in Compac's hydraulic systems.

LONGTIME AVAILABILITY OF SPARE PARTS

Spare parts and wear parts for Compac products are easy to identify and access. Information about spare parts for all Compac products is easily available on www.compac.dk or by using Compac's App.



UNIQUE QUALITY SYSTEM

Compac operates a unique quality system that is inspired by the Japanese quality approach. The stringent quality system combines the quality mind-set and personal responsibility of everyone involved in the manufacturing process.



ONLINE INFORMATION

Easy access to all spare parts information. Find the right solution for the job. YouTube films for clear understanding of the user benefits. Operation instructions and trouble shooting guides with step-by-step guides to help you solve any functional problems on-site.



MANUFACTURER SINCE 1946



LOW HEIGHT JACK 2 TON CARS



EXTREMELY LOW CHASSIS JACK 2 TON CARS

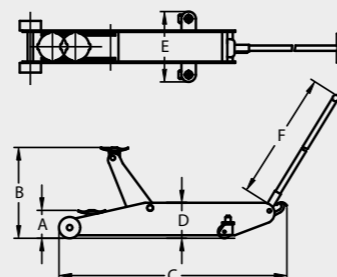


Ideal for lifting points along side panels.



Model	Max (ton)	A (mm)	B (mm)	C (mm)	D (mm)	E (mm)	F (mm)	Kg
2T-C	2	80	500	730	160	380	925	36

ACCESSORIES



YouTube

Keyword: Compac 2T-77



Extremely low chassis improves access under low vehicles.

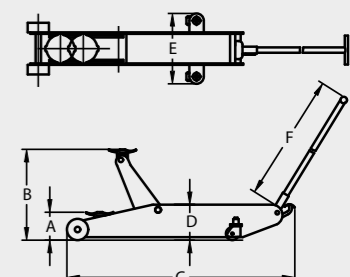


Long reach chassis improves access to lifting points deep under vehicles.



Model	Max (ton)	A (mm)	B (mm)	C (mm)	D (mm)	E (mm)	F (mm)	Kg
2T-77	2	77	480	950	126	380	925	42

ACCESSORIES





3 TON JACK

VANS, 4WDS AND MINIBUSES

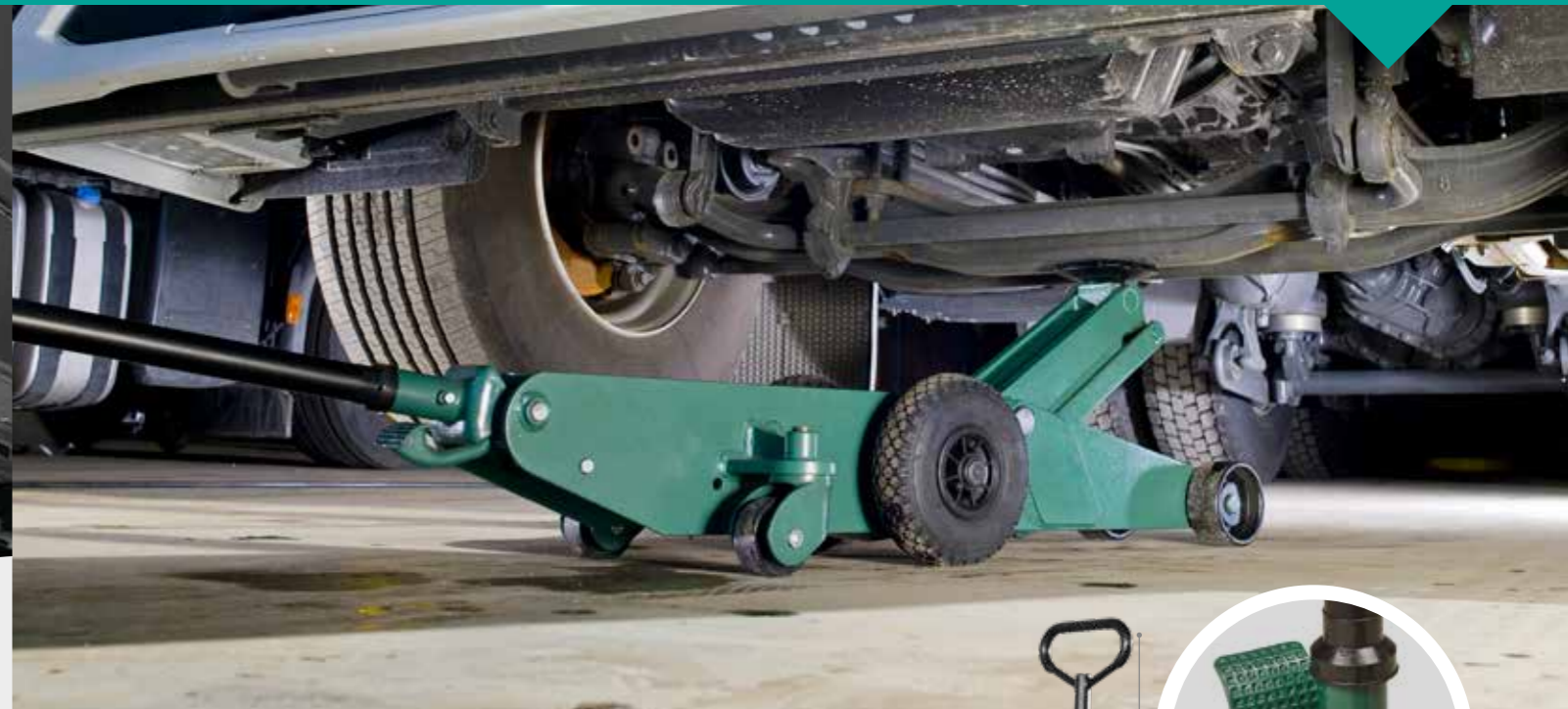


HIGH CAPACITY JACKS 4 - 15 TON

TRUCKS AND BUSES



Long reach chassis improves access to lifting points deep under most vehicles.



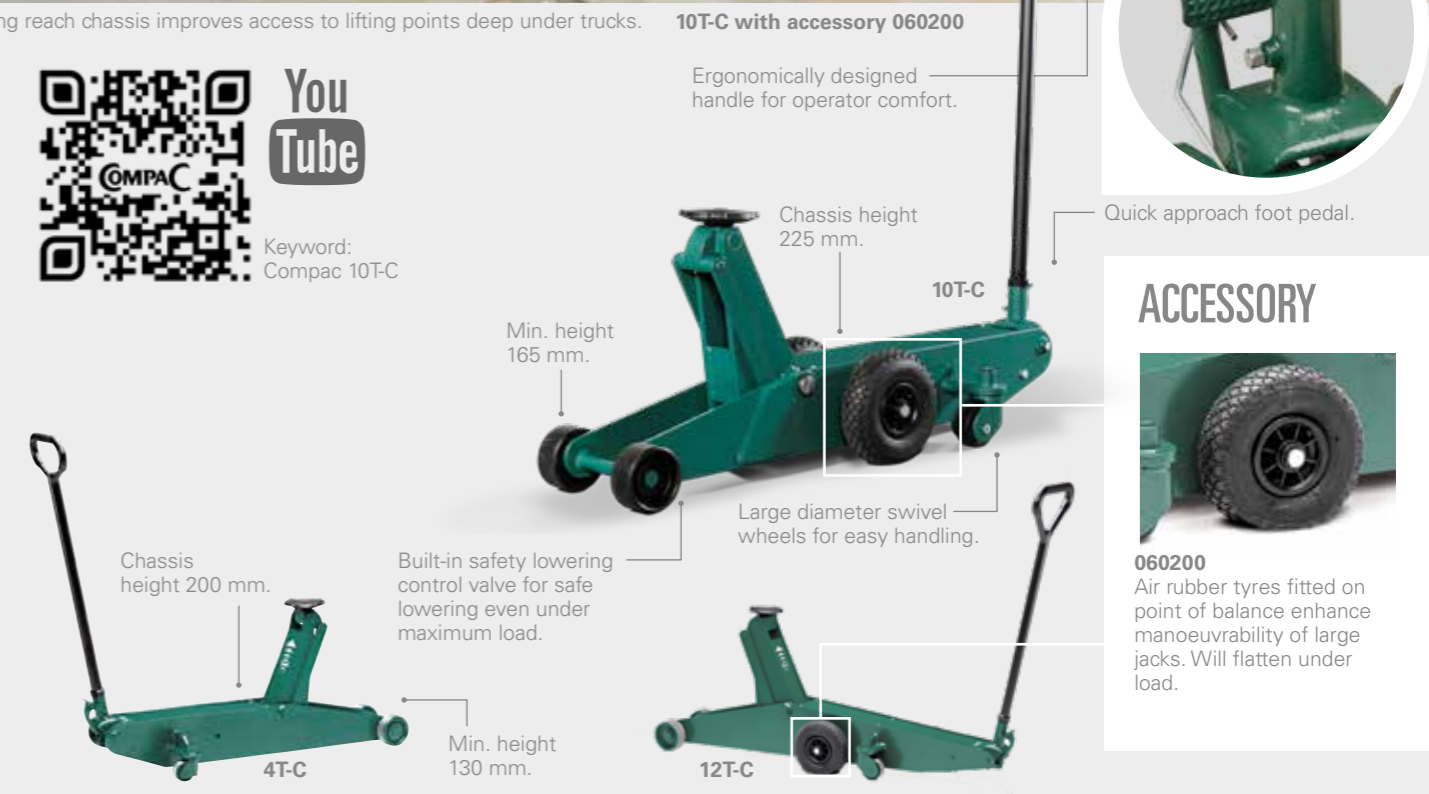
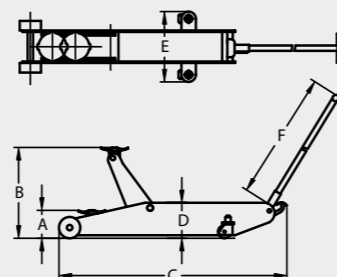
Long reach chassis improves access to lifting points deep under trucks.

10T-C with accessory 060200



Model	Max (ton)	A (mm)	B (mm)	C (mm)	D (mm)	E (mm)	F (mm)	Kg
3T-C	3	115	500	1015	170	380	925	43

ACCESSORIES

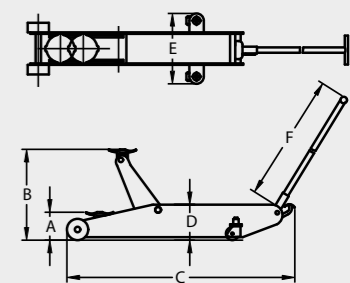


Quick approach foot pedal.

ACCESSORY



Model	Max (ton)	A (mm)	B (mm)	C (mm)	D (mm)	E (mm)	F (mm)	Kg
4T-C	4	130	545	1270	200	465	1045	74
5T-C	5	145	560	1270	200	465	1045	75
6T-C	6	155	570	1395	210	470	1045	97
10T-C	10	165	580	1410	225	435	1045	110
12T-C	12	170	670	1700	280	470	1045	148
15T-C	15	200	600	1790	325	475	1045	169





HIGH LIFT JACKS 1,4 - 2 TON CARS



HIGH LIFT JACKS 3 - 10 TON TRANSPORTER AND AGRICULTURAL MACHINERY



ACCESSORIES

060260
CSL LED
light for
jacks.



Model	Nr.
1,4T-HC 77	001077
2T-HC	1002LF

Rubber pad protects the lifting point.



Long reach profile improves access to lifting points deep under most vehicles.

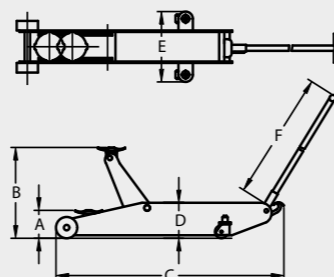


1,4T-HC 77 BOGIE PU
2T-HC BOGIE PU
Jack mounted with polyurethane rollers. (Factory mounted)



1,4T-HC 77 HRW
2T-HC HRW
Jack mounted with hard rubber wheels. (Factory mounted)

Built-in safety lowering control valve for safe lowering even under maximum load.



Model	Max (ton)	A (mm)	B (mm)	C (mm)	D (mm)	E (mm)	F (mm)	Kg
1,4T-HC 77	1,4	77	715	1050	190	380	925	52
2T-HC	2	98	735	1035	200	380	1045	56



ACCESSORY

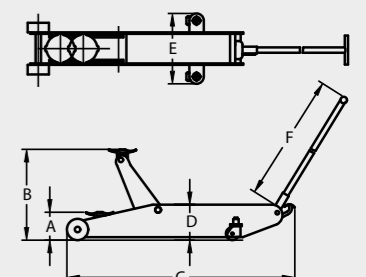


060200
Air rubber tyres fitted on point of balance enhance manoeuvrability of large jacks. Will flatten under load.

8T-HC with accessory 060200



Model	Max (ton)	A (mm)	B (mm)	C (mm)	D (mm)	E (mm)	F (mm)	Kg
3T-HC	3	130	860	1620	210	460	1045	91
6T-HC	6	180	960	1830	350	475	1045	180
8T-HC	8	180	960	1830	350	475	1045	185
10T-HC	10	210	710	1700	290	475	1045	148





AIR HYDRAULIC JACKS TRUCKS AND BUSES



AIR HYDRAULIC JACKS TRUCKS AND AGRICULTURAL MACHINERY



A5816-C



A28-HC

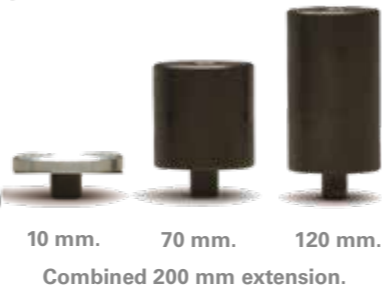
LOW TELESCOPIC JACK WITH SHORT CHASSIS AND EXTREMELY LOW TELESCOPIC JACK

- Built-in safety control valve for safe lowering even under maximum load.
- Built-in pressure relief valve prevents overloading.
- Spring loaded lowering system with dead man release.

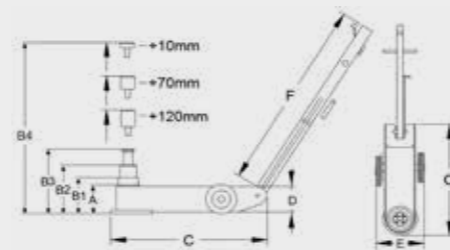


Model	Max (ton)	A (mm)	B1 (mm)	B2 (mm)	B3 (mm)	B4 (mm)	C (mm)	D (mm)	E (mm)	F (mm)	Kg
A3216-C	32/16	150	220	300	-	500	495	168	310	1230	46
A4020-C	40/20	150	220	300	-	500	495	168	310	1230	46
A5816-C	58/32/16	120	165	210	255	455	665	130	305	1360	57

STANDARD



ACCESSORIES

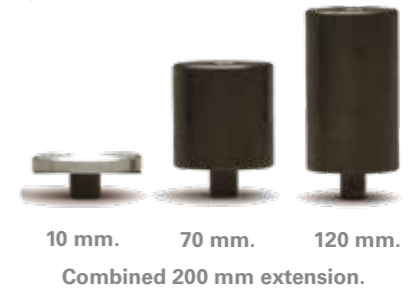


EXTRA HIGH AIR HYDRAULIC JACK AND TELESCOPIC JACK WITH EXTRA HIGH LIFTING CAPACITY

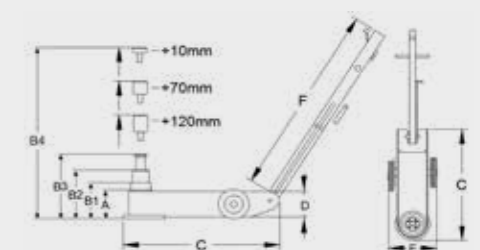


Model	Max (ton)	A (mm)	B1 (mm)	B2 (mm)	B3 (mm)	B4 (mm)	C (mm)	D (mm)	E (mm)	F (mm)	Kg
A28-HC	28	350	580	-	-	780	735	160	280	1230	64
A4422-C	44/22	220	341	467	-	667	525	168	300	1230	53
A5830-C	58/30	220	330	450	-	650	1050	150	350	1360	80

STANDARD



ACCESSORIES

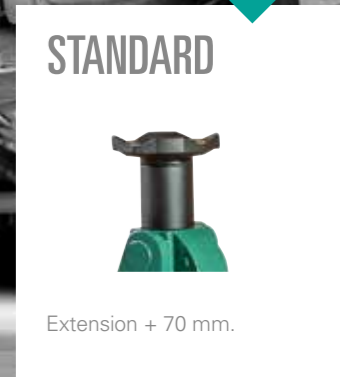




AIR HYDRAULIC TROLLEY JACK 10 TON TRUCKS AND BUSES



AIR HYDRAULIC TROLLEY JACK 10 TON TRUCKS AND BUSES



Very good manoeuvrability. Robust construction for a long service life.

*SternPartner,
Herr Baumgart*



Fast and quiet operation with compressed air (noise level below 70 dB).

*VEMAS,
Herr Christian Schmidt*



Universal applications due to the variable lifting height of up to 650 mm. Easy handling for positioning under the vehicle.

*SternPartner,
Herr Baumgart*



A10T-C

- Built-in safety control valve for safe lowering even under maximum load.
- Built-in pressure relief valve prevents overloading.
- Spring loaded lowering system with dead man release.

Handle can be locked in an angle of 45 degrees for easy manoeuvring.



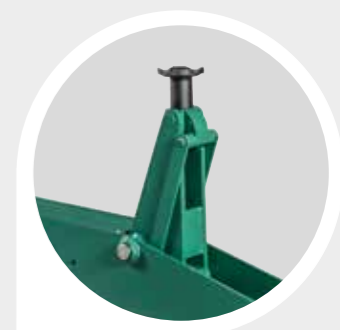
**You
Tube**

Keyword:
Compac A10T-C

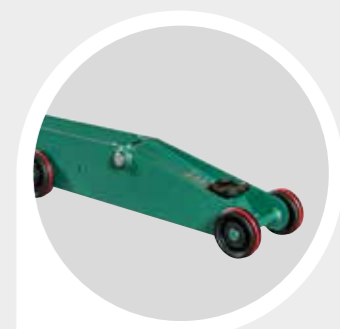


A10T-C

Model	Max (ton)	A (mm)	B (mm)	C (mm)	D (mm)	E (mm)	F (mm)	Kg
A10T-C	10	150	580 (650)	1380	225	390	1200	108



Maximum lifting height 650 mm when using the extension.



Low entry height 150 mm.



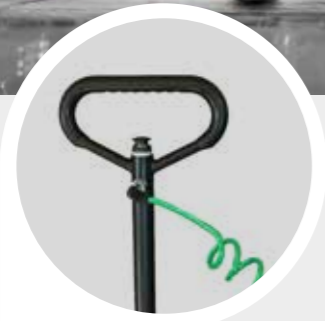
Silent wheels for the modern workshop.



EXTREMELY LOW AIR HYDRAULIC TROLLEY JACK 1,6 TON CARS



Long reach chassis improves access to lifting points deep under vehicles.



Fast and silent air pump. Less than 70 dB.



Maximum lifting height 480 mm.



YouTube

Keyword: Compac A1,6T-77



Extremely low chassis improves access under low vehicles.



Extremely low and long reach chassis.

Ultra low entry height only 77 mm.

Low entry height.

Model	Max (ton)	A (mm)	B (mm)	C (mm)	D (mm)	E (mm)	F (mm)	Kg
A1,6T-77	1,6	77	480	950	126	380	925	44

ACCESSORIES



060260 CSL LED light for jacks.



001077 Rubber pad protects the lifting point.



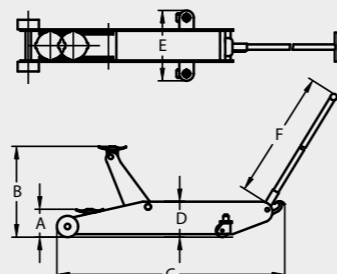
003068 Saddle for extra height or accessing lifting points situated behind skirts, etc. (+ 40 mm)



A1,6T-77 HRW A1,6T-77 mounted with hard rubber wheels. (Factory mounted)



A1,6T-77 Bogie PU A1,6T-77 mounted with noiseless polyurethane rollers and wheels.



HYDRAULIC BODY REPAIR KITS CARS, TRUCKS AND AGRICULTURAL MACHINERY



	CRK 4	CRK 10
1	Quick-lock tube, 400 mm.	Quick-lock tube, 475 mm.
2	Quick-lock tube, 300 mm.	Quick-lock tube, 350 mm.
3	Quick-lock tube, 200 mm.	Quick-lock tube, 250 mm.
4	Quick-lock tube, 100 mm.	Quick-lock tube, 125 mm.
5	"V" head.	"V" head.
6	Threaded toe adapter.	Threaded toe adapter.
7	Angle head.	Angle head.
8	Wedge head.	Wedge head.
9	Base.	Base.
10	Saddle.	Saddle.
11	Flexible rubber head.	Flexible rubber head.
12	Connector.	Connector.
13	Spreader. (Max 500 kg.)	Spreader. (Max 500 kg.)
14	Cylinder.	Cylinder.
15	Flexible hose, 1800 mm.	Flexible hose, 1800 mm.
16	4 ton hydraulic power unit.	10 ton hydraulic power unit.
17	Box.	Box with wheels.

! WARNING: The capacity of the hydraulic system exceeds the maximum of the spreader and other adapters. Please see maximum capacity per component in the instruction manual.



WHEEL LIFTER CARS, VANS AND 4WD



WHEEL DOLLY TRUCKS AND BUSES

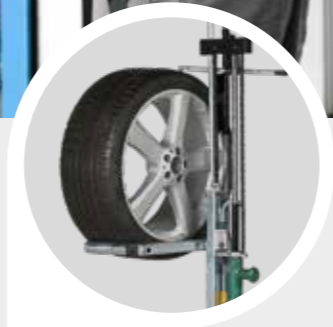


Easy access to wheel bolts. The wheel is positioned away from the main piston.



YouTube

Keyword:
Compac WD 60



Capacity: 60 kg. (Outside diameter max. 820 mm.)



Rollers with ball bearings for easy rotation and positioning.



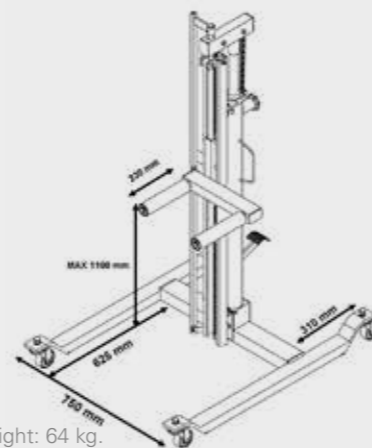
WD 60



Effortless foot operated lifting.



No heavy, manual lifting. The wheel lifter lifts the wheels straight from the floor.



Weight: 64 kg.

EASY AND SAFE MOUNTING, DEMOUNTING AND HANDLING OF HEAVY WHEELS FOR TRUCKS AND BUSES.

Extra support wheels for easy and safe maneuvering even when fully loaded.

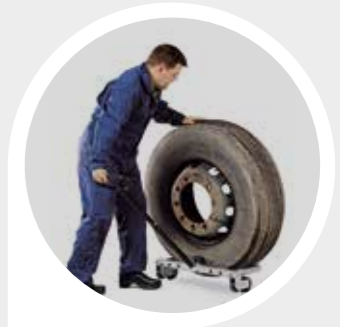
Rollers with ball bearings for easy rotation and positioning of wheels onto hubs.

Capacity 250 kg.

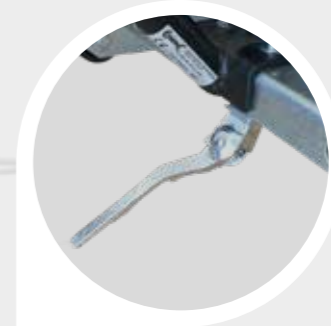
WD MOBILE

Weight: 14 kg.

Ergonomical handle makes the wheel dolly easily controllable by just one mechanic.



Capable of handling wheels up to size 445/65 - 22,5".



Spring loaded support for fast and easy storing without load.



The rollers have three positions each side for different wheels sizes.

WD 500
Capacity 500 kg.



YouTube

Keyword:
Compac WD 500



Easy maneuvering even when fully loaded.



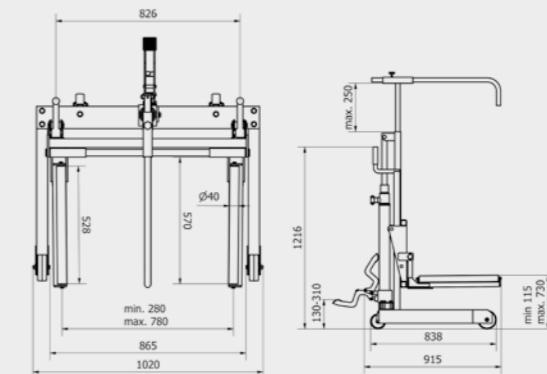
100% foot operated. Even under maximum load.



Sliding arms. Enables handling of wheels with diameter from Ø 260 mm - 1320 mm.

Weight: 101 kg.

Rollers fitted with ball bearings easy for rotation and positioning of wheels.



Ideal for lifting heavy twin wheels.



WHEEL LIFTER

AGRICULTURAL AND EARTH MOVING MACHINERY



WHEEL LIFTER

AGRICULTURAL AND EARTH MOVING MACHINERY



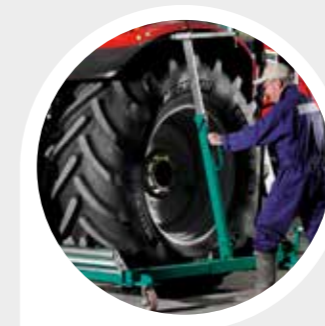
EASY AND SAFE MOUNTING, DEMOUNTING AND HANDLING OF LARGE WHEELS UP TO 2400 MM



Capable of handling large wheels from 1250 mm up to 2400 mm in diameter and up to 1050 mm in width.



2 x 4 large rollers improve handling of tyres with deep treads.



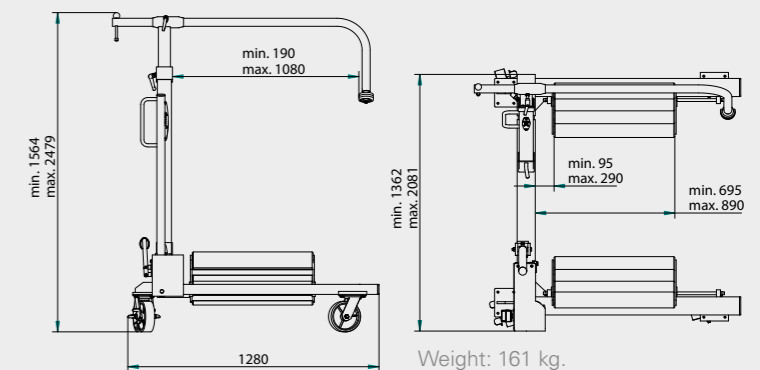
Large open working area, due to the built-in hydraulic.



Hands-free switch between lifting and lowering action.



Mobile: Easy to use outside the workshop. Disassembled in a few seconds.





WORKSHOP CRANES CARS



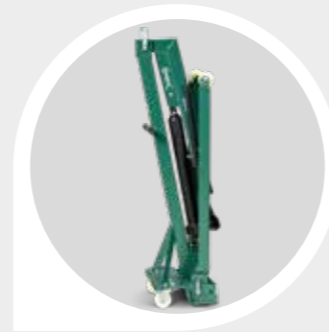
WORKSHOP CRANES CARS AND INDUSTRIAL USE



ACCESSORIES



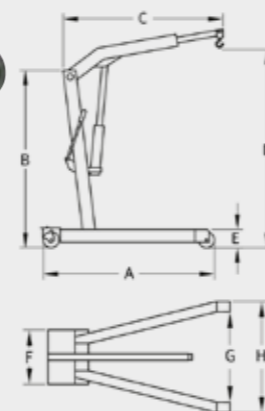
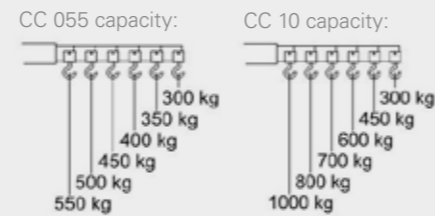
939010
Load sling.
Capacity 500 kg.



Foldable. Takes up limited space when not in use. (36 x 42 cm)

The extra long reach of the lifting arm enables easy lifting of engines on modern cars.

Swivel pump handle position enables easy operation by just one mechanic.

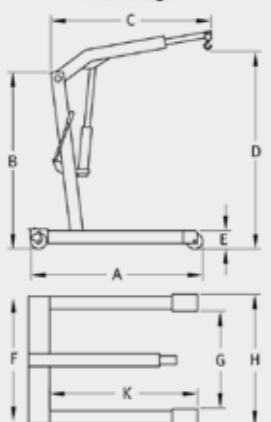
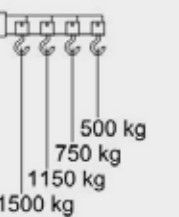


Workshop crane with high capacity. Ideal for industrial use.

The industrial workshop crane fits around a standard EUR pallet.



CC 15P capacity:



Model	A (mm)	B (mm)	C (mm)	D (mm)	E (mm)	F (mm)	G (mm)	H (mm)	Kg
CC 055	1530	1500	Min. 985 Max. 1435	2120 Max. 550 kg. 2455 Max. 300 kg.	88	440	865	1020	103
CC 10	1530	1500	Min. 985 Max. 1435	2120 Max. 1000 kg. 2455 Max. 300 kg.	88	440	865	1020	103

Model	A (mm)	B (mm)	C (mm)	D (mm)	E (mm)	F (mm)	G (mm)	H (mm)	K (mm)	Kg
CC 15P	1720	1860	Min. 1370 Max. 1820	2745 Max. 1500 kg. 3110 Max. 500 kg.	200	1000	850	1015	1570	147



UNIVERSAL TRANSMISSION JACKS CARS AND VANS



ACCESSORIES FOR TRANSMISSION JACKS CARS AND VANS



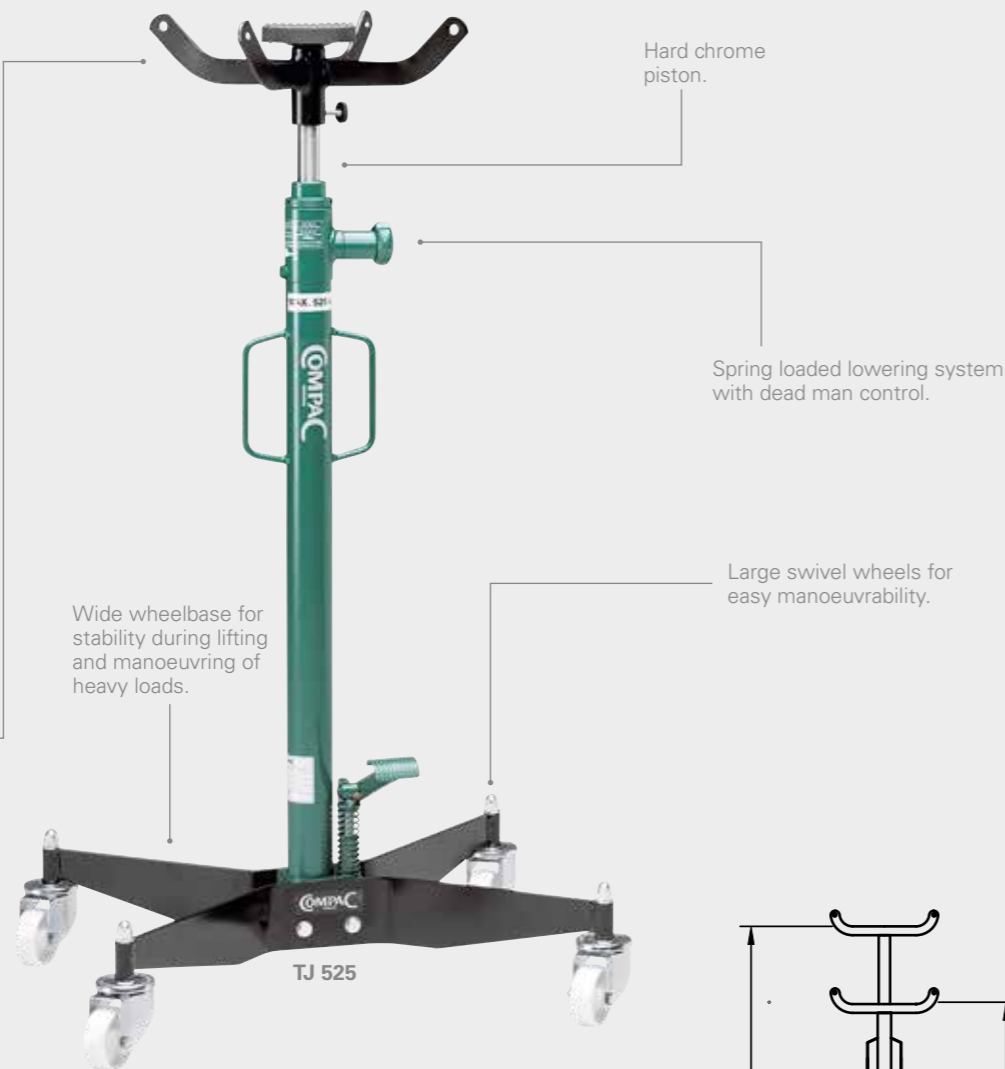
053012/053015

939014

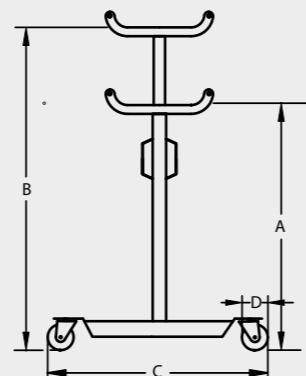


Reversible transmission adaptor with saddle and rubber pad.

Ideal for handling and supporting exhaust systems, fuel tanks, etc.



Model	Max (kg)	A (mm)	B (mm)	C (mm)	D (mm)	Kg
TJ 300	300	1095	1930	465 x 565	60	24
TJ 325	325	1170	2020	595 x 535	80	30
TJ 525	525	1170	2020	595 x 535	80	32
TJ 1000	1000	1170	2000	595 x 535	100	38



ACCESSORIES



Model	Nr.
TJ 300	053012
TJ 325	053012
TJ 525	053012
TJ 1000	053015
TJ-T 1300	053015

McPherson strut support.
For supporting and holding the suspension strut when working on the wheel suspension.

The McPherson strut support prevents the strut from moving downwards when dismantling the suspension strut from the transverse link.



Model	Nr.
TJ 300	053004
TJ 325	053004
TJ 525	053005
TJ 1000	053006
TJ-T 1300	053006

Fluid drain pan with adapter.
Oil drain pan 18,9 litre. Ideal for fast and easy oil changes.



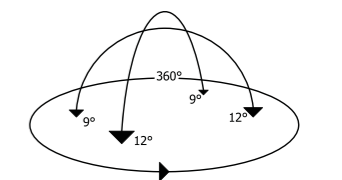
Model	Nr.
TJ 300	053010
TJ 325	053010
TJ 525	053011
TJ 1000	053013
TJ-T 1300	053013

Adapter.
Adapter without the four arms. Enhances access to areas with limited space.



Model	Nr.
TJ 300	-
TJ 325	-
TJ 525	939014
TJ 1000	939014
TJ-T 1300	939014

Adjustable transmission tool. Tilts in 2 angles to enable positioning and safe handling of transmissions. Capacity 300 kg.





TELESCOPIC TRANSMISSION JACK CARS, VANS AND 4WD

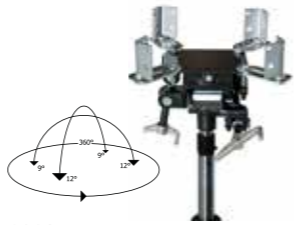


TELESCOPIC TRANSMISSION JACK TRUCKS AND BUSES



939014

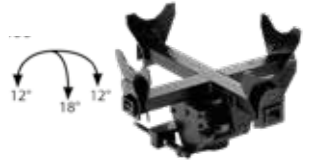
ACCESSORY



939014
Adjustable transmission tool. Tilts in 2 angles to enable positioning and safe handling of transmissions.

Capacity 300 kg.

ACCESSORY

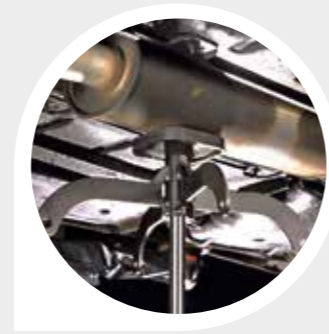
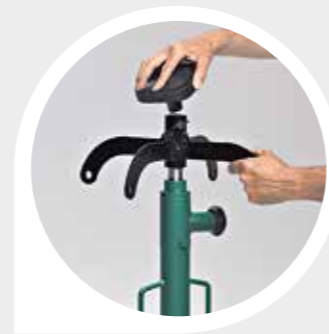


939007
Adjustable transmission tool tilts to enable positioning and safe handling of transmissions.

Capacity 1000 kg.

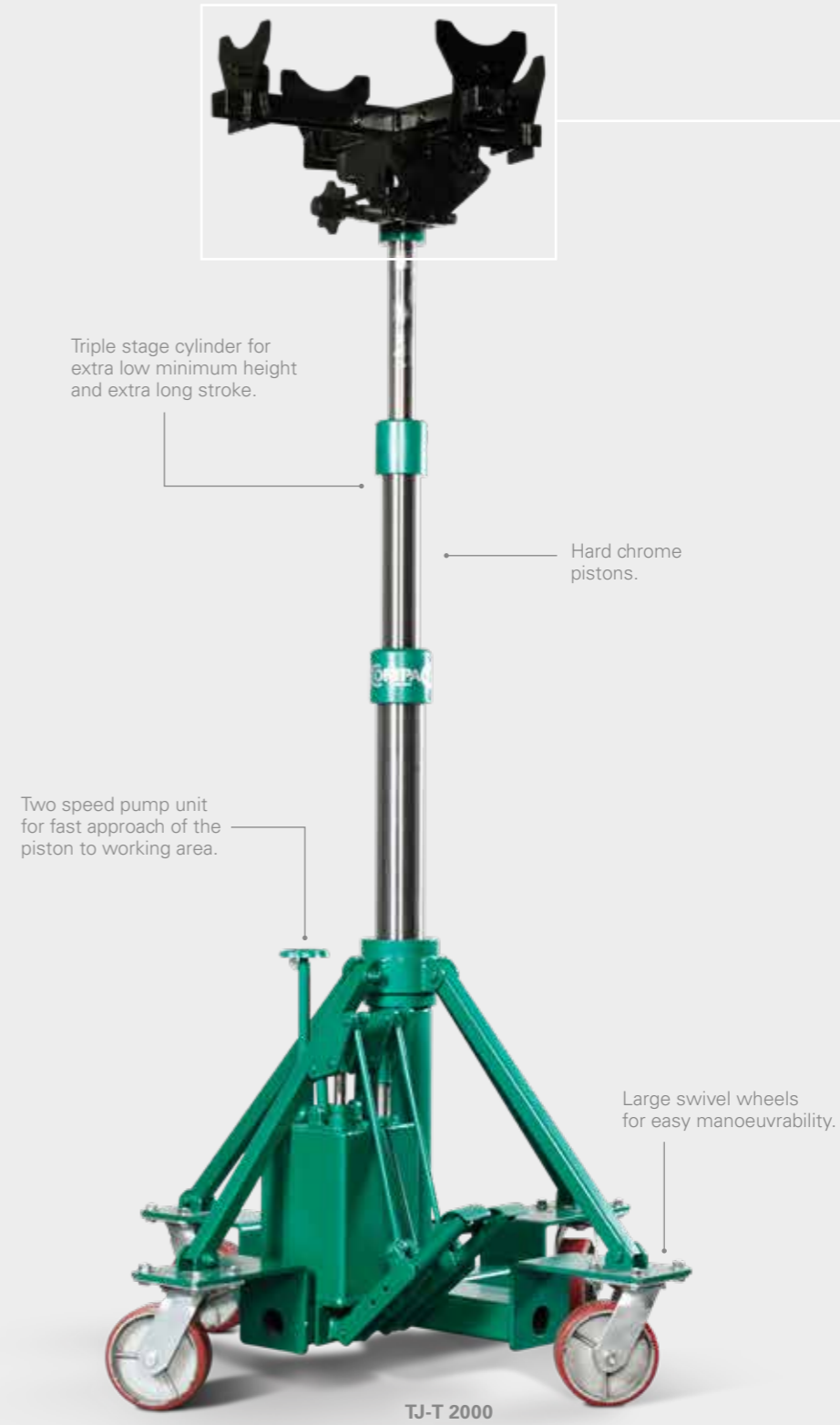
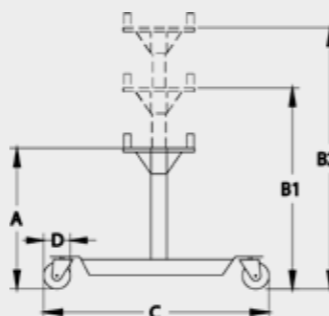


Model	Max (ton)	A (mm)	B1 (mm)	B2 (mm)	C (mm)	D (mm)	Kg
TJ-T 1300	1.3 / 0.5	1000	1500	2010	760 x 640	100	65

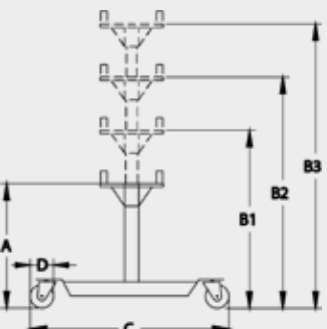


Reversible transmission adaptor with saddle and rubber pad.

Ideal for handling and supporting exhaust systems, fuel tanks, etc.



Model	Max (ton)	A (mm)	B1 (mm)	B2 (mm)	B2 (mm)	C (mm)	D (mm)	Kg
TJ-T 2000	2.0 / 1.0 / 1.0	960	1320	1600	1910	1050 x 1050	150	106





SPRING COMPRESSOR CARS



SPRING COMPRESSOR CARS, SUVS AND VANS



EFFICIENT, PROFESSIONAL AND SAFE DISMOUNTING AND MOUNTING OF MCPHERSON "STRUTS"

Model						
CSC	✓	✓	✓			

Recommended for small and medium size cars.

Safety lock fixate the adjustable arms.

Moveable arms with universal jaws ensure a precise and vertical pressure.

Safety guard that also ensures an ergonomic work position.

Long stroke of 330 mm.

Universal swivel jaws that fit „all“ springs. Max. distance between jaws and spring bracket up to 390 mm.

Suitable for conical springs.

Weight: 61 kg.

CSC/CSC+ Mobile. Easily moved between workstations. Ready for use in a matter of seconds.

Foot operated air approach and return.

Foot operated for "hands free" operation. Air connection required. 8 to 10 bar.

CSC



YouTube

Keyword: Compac CSC

STANDARD

2 spring brackets (Ø78 - 125 mm and Ø125 - 200 mm)

Safety guard.

ACCESSORY

929050 Universal strut vice.

McPherson strut mounted in strut vice.

Model						
CSC+	✓	✓	✓	✓	✓	✓

Recommended for small, medium size and large cars. Plus SUVs and vans.

60% MORE POWER*

Extra strong arms fitted with Teflon bearings.

Safety guard that also ensures an ergonomic work position.

Hard chrome, solid rods.

Universal swivel jaws that fit „all“ springs. Max. distance between jaws and spring bracket up to 420 mm.

Large Ø160 mm air cylinder for extra compression power.

Weight: 74 kg.

CSC+

* CSC+ compared with CSC.



YouTube

Keyword: Compac CSC+

STANDARD

2 spring brackets (Ø78 - 125 mm and Ø125 - 200 mm)

Safety guard.

ACCESSORY

929050 Universal strut vice.

McPherson strut mounted in strut vice.

VEHICLE SPECIFIC SOLUTIONS



929052 Brackets for Mercedes A, B, C and E Class (C-class until 2009).



929059 Bracket for Mercedes C-class from 2010 and later.



929051 Bracket Ø105-182 mm for Renault Megane, Renault Clio, Citroën C3, Citroën C4, Peugeot 208, Peugeot 308, Fiat 500, Toyota Yaris, VW Polo, VW Golf. (Also included in Mercedes kit 929052)



929053 Low lip jaws.



929060 Bracket for Renault Koleos, Renault Kadjar, Nissan Qashqai, Nissan Juke.



929057 Strut vise for Chrysler Voyager and Mercedes.



929062 Ideal jaws for coils with an „opposite“ angle. Like left-coils mounted on various Renault and Nissan vehicles.



FOOT OPERATED WORKSHOP PRESSES 16 - 30 TONS CARS, VANS AND SUVs



HAND OPERATED WORKSHOP PRESSES 20 - 30 TONS CARS, VANS AND SUVs



Moveable cylinder.

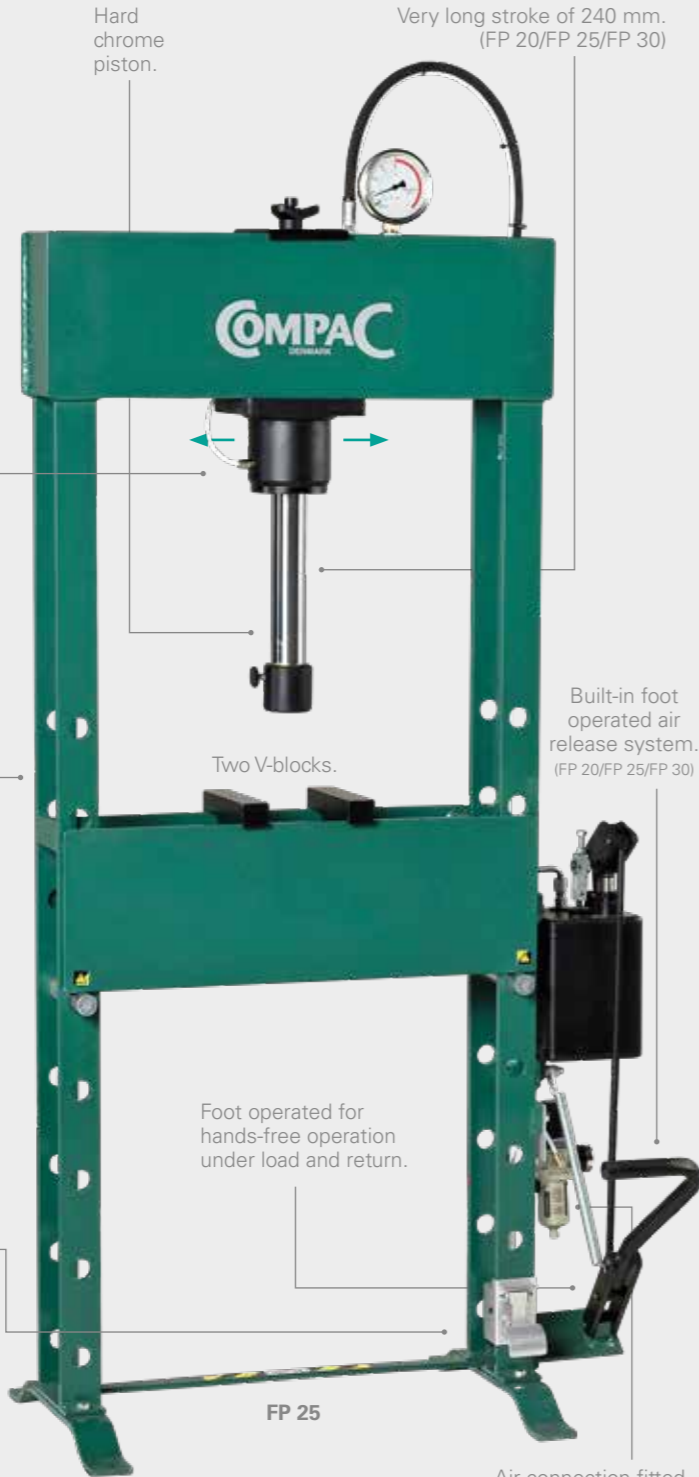
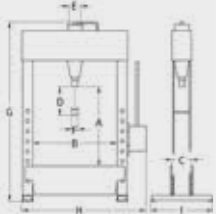
ACCESSORY



FP 30: Standard with winch for quick and easy adjustment of table height.
FP 25 with winch: Order model FP 25 W.
FP 20 with winch: Order model FP 20 W.
FP 16 is not available with winch.
Winch can **NOT** be retrofitted!



Foot operated air approach feature. (FP 20/FP 25/FP 30)



FP 25

Model	Max (ton)	(mm/stroke)	A (mm)	B (mm)	C (mm)	D (mm)	E (mm)	F (mm)	G (mm)	H (mm)	I (mm)	Kg
FP 16	16	6,0/2,0	1200	550	140	150	65	40	1780	850	600	121
FP 20	20	9,0/1,1	825	600	140	240	90	70	1800	890	505	157
FP 25	25	9,0/1,1	825	600	140	240	90	70	1800	890	505	157
FP 30	30	9,0/1,1	825	600	140	240	90	70	1800	890	505	160

ACCESSORIES



061248 Universal bearing removal support.



061100 Press plate.



061240 Shelves for storing.



Model	Nr.
FP 16	061219
FP 20	061216
FP 25	061216
FP 30	061216

Press punches.
7 pieces, Ø12, 16, 18, 20, 22, 25, 30.



Model	Nr.
FP 16	061220
FP 20	061218
FP 25	061218
FP 30	061218

Bearing removal kit.
4-pieces, Ø 64, 67, 72, 75.



061242 Protection guard.

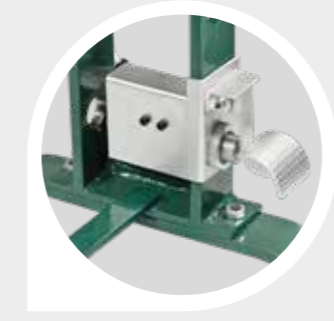


Moveable cylinder.

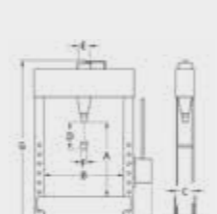
ACCESSORY



HP 30: Standard with winch for quick and easy adjustment of table height.
HP 25 with winch: Order model HP 25 W.
HP 20 with winch: Order model HP 20 W.
HP 16 is not available with winch.
Winch can **NOT** be retrofitted!



Foot operated air approach feature.



HP 25

Model	Max (ton)	(mm/stroke)	A (mm)	B (mm)	C (mm)	D (mm)	E (mm)	F (mm)	G (mm)	H (mm)	I (mm)	Kg
HP 20	20	9,0/4,0	825	600	140	240	90	70	1800	890	505	156
HP 25	25	9,0/4,0	825	600	140	240	90	70	1800	890	505	156
HP 30	25	9,0/4,0	825	600	140	240	90	70	1800	890	505	159

ACCESSORIES



061248 Universal bearing removal support.



061100. Press plate.



061240 Shelves for storing.



Model	Nr.
HP 20	061216
HP 25	061216
HP 30	061216

Press punches.
7 pieces, Ø12, 16, 18, 20, 22, 25, 30.



Model	Nr.
HP 20	061218
HP 25	061218
HP 30	061218

Bearing removal kit.
4-pieces, Ø 64, 67, 72, 75.



061242 Protection guard.



FOOT OPERATED WORKSHOP PRESSES 40 - 50 TONS VANS, TRUCKS AND BUSES



HAND OPERATED WORKSHOP PRESSES 40 - 100 TONS VANS, TRUCKS AND BUSES



ACCESSORIES



061248
Universal bearing
removal support.

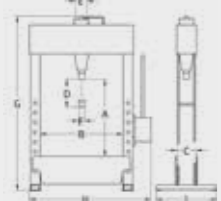
Model	Nr.
FP 40	061248
FP 50	061248



Fast and safe
adjustment of the press table
height, using a braked winch.



Foot operated air approach
feature.



Model	Max (ton)	(mm/ stroke)	A (mm)	B (mm)	C (mm)	D (mm)	E (mm)	F (mm)	G (mm)	H (mm)	I (mm)	Kg
FP 40	40	6,0/0,8	750	840	200	300	125	70	1990	1350	630	375
FP 50	50	6,0/0,8	750	840	200	300	125	70	1990	1350	630	375



YouTube
Keyword:
Compac FP 50

Foot operated for
hands-free operation.

ACCESSORIES



061100
Press plate.



061240
Shelves for
storing.



Model	Nr.
FP 40	061216
FP 50	061216

Press punches.
7 pieces, Ø12, 16, 18, 20,
22, 25, 30.



Model	Nr.
FP 40	061218
FP 50	061218

Bearing removal kit.
4 pieces, Ø 64, 67, 72, 75.



Model	Nr.
FP 40	061243
FP 50	061243

Protection guard.

ACCESSORIES



061248
Universal bearing
removal support.

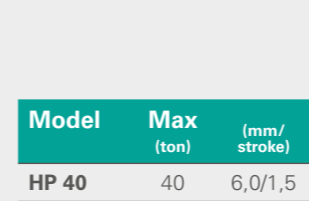
Model	Nr.
HP 40	061248
HP 50	061248
HP 60	-
HP 70	-
HP 100	-



Fast and safe
adjustment of the press table
height, using a braked winch.



Foot operated air approach
feature.



Model	Max (ton)	(mm/ stroke)	A (mm)	B (mm)	C (mm)	D (mm)	E (mm)	F (mm)	G (mm)	H (mm)	I (mm)	Kg
HP 40	40	6,0/1,5	750	840	200	300	125	70	1990	1350	630	374
HP 50	50	6,0/1,5	750	840	200	300	125	70	1990	1350	630	374
HP 60	60	5,0/0,8	760	1005	255	300	160	80	2100	1615	710	690
HP 70	70	5,0/0,8	760	1005	255	300	160	80	2100	1615	710	690
HP 100	100	3,4/0,8	915	1035	305	300	200	100	2200	1637	800	946



Air connection
fitted with water
separator.

ACCESSORIES



061100
Press plate.



061240
Shelves for
storing.



Model	Nr.
HP 40	061216
HP 50	061216
HP 60	061228
HP 70	061228
HP 100	061233

Press punches.
7 pieces, Ø12, 16, 18, 20,
22, 25, 30.



Model	Nr.
HP 40	061218
HP 50	061218
HP 60	061229
HP 70	061229
HP 100	061234

Bearing removal kit.
4 pieces, Ø 64, 67, 72, 75.



Model	Nr.
HP 40	061243
HP 50	061243
HP 60	061245
HP 70	061245
HP 100	061247

Protection guard.



ELECTRO-HYDRAULIC WORKSHOP PRESSES 40 - 60 TON WITH SINGLE ACTING CYLINDER



ELECTRO-HYDRAULIC WORKSHOP PRESSES 40 - 100 TON WITH DOUBLE ACTING CYLINDER



ACCESSORIES



061248
Universal bearing
removal support.

Model	Nr.
EP 40	061248
EP 60	-

Single acting cylinder:
One-way pressing action for where heavy tooling is not to be mounted on the piston.

Pressure gauge.
Moveable cylinder.
Very long stroke of 300 mm.
Hard chrome piston.



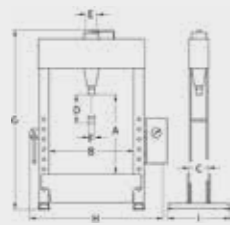
EP 40



Fast and safe
adjustment of the press table
height, using a braked winch.



A 90° hinged pump unit
enables easier insertion
of longer work-pieces.



Model	Max (ton)	(mm/stroke)	A (mm)	B (mm)	C (mm)	D (mm)	E (mm)	F (mm)	G (mm)	H (mm)	I (mm)	Kg	Kw
EP 40	40	10,0	750	840	200	300	125	70	1990	1480	630	390	2,2
EP 60	60	10,0/5,0	760	1000	255	300	160	80	2100	1680	710	694	2,2

ACCESSORIES



061100
Press plate.



061240
Shelves for
storing.



Model	Nr.
EP 40	061216
EP 60	061228

Press punches.
7 pieces, Ø12, 16, 18, 20,
22, 25, 30.



Model	Nr.
EP 40	061218
EP 60	061229

Bearing removal kit.
4 pieces, Ø 64, 67, 72, 75.



Model	Nr.
EP 40	061243
EP 60	061245

Protection guard.

ACCESSORIES



061248
Universal bearing
removal support.

Model	Nr.
EP 40 D	061248
EP 60 D	-
EP 100 D	-

Double acting cylinder:
Hydraulic pressing and pulling action. Ideal when heavy tooling is mounted on the piston.

Very long stroke of 300 mm.
Moveable cylinder.
Flange for fitting of tooling.
Hard chrome piston.



EP 40 D



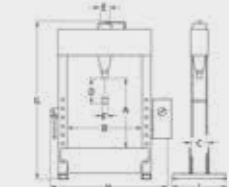
Fast and safe
adjustment of the press table
height, using a braked winch.



A 90° hinged pump unit
enables easier insertion
of longer work-pieces.

Wide insertion width.

Multi-adjustable
pressure valve.



Model	Max (ton)	(mm/stroke)	A (mm)	B (mm)	C (mm)	D (mm)	E (mm)	F (mm)	G (mm)	H (mm)	I (mm)	Kg	Kw
EP 40 D	40	10,0	750	840	200	300	125	70	1990	1480	630	396	2,2
EP 60 D	60	10,0/5,0	760	1000	255	300	160	80	2100	1680	710	702	2,2
EP 100 D	100	10,0/1,4	915	1035	305	300	200	100	2200	1780	800	981	2,2

ACCESSORIES



061100
Press plate.



061240
Shelves for
storing.



Model	Nr.
EP 40 D	061216
EP 60 D	061228
EP 100 D	061233

Press punches.
7 pieces, Ø12, 16, 18, 20,
22, 25, 30.



Model	Nr.
EP 40 D	061218
EP 60 D	061229
EP 100 D	061234

Bearing removal kit.
4 pieces, Ø 64, 67, 72, 75.



Model	Nr.
EP 40 D	061243
EP 60 D	061245
EP 100 D	061247

Protection guard.



AXLE STANDS 2 - 12 TON

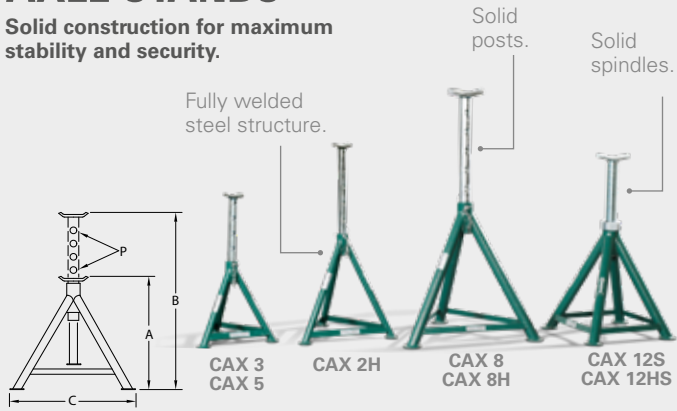
BOTTLE JACKS 3 - 50 TON

CARS, TRUCKS AND AGRICULTURE



AXLE STANDS

Solid construction for maximum stability and security.



Model	Max (ton)	A (mm)	B (mm)	C (mm)	P	Kg
CAX 2H	2	505	755	491	5	6,6
CAX 3	3	346	510	325	5	4,7
CAX 5	5	406	567	355	5	7,2
CAX 8	8	424	633	403	5	11,5
CAX 8H	8	605	870	575	6	15
CAX 12S	12	345	495	230	Spindel	11,6
CAX 12HS	12	505	740	395	Spindel	14,4

BOTTLE JACKS



Model	Max (ton)	A (mm)	B (mm)	C (mm)	D (mm)	E (mm)	F (mm)	Kg
CBJ 3	3	193	120	60	373	110x103	26	3
CBJ 5	5	210	136	70	416	122x115	30	3,9
CBJ 10	10	230	150	80	460	132x120	36	5,6
CBJ 15	15	230	150	60	440	144x134	43	7,2
CBJ 20	20	242	150	60	452	159x143	46	9,2
CBJ 30	30	275	165	-	440	169x153	49	11,9
CBJ 50	50	265	160	-	425	210x176	83	25,8
CBJ-T 10	10	215	247	78	540	150x145	37	9,3

Compac reserves the right to discontinue products, change prices and to supply products that may differ from the illustrations and specifications.